

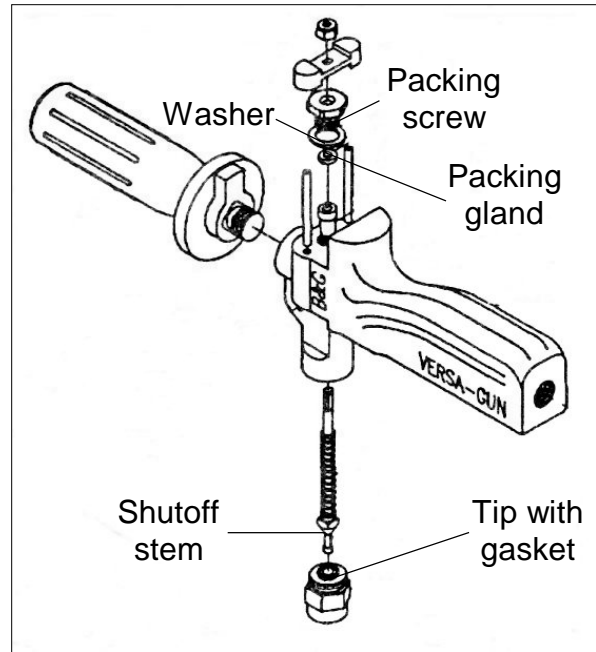
VERSAGUN PROBLEMS AND SOLUTIONS

P. Gun is leaking at the junction with the soil rod.

S. Remove the soil pipe and tighten the tip to the gun.

If leak continues, loosen and remove the tip, clean the exposed end of the shutoff stem and the white gasket in the center of the tip.

If leak continues, replace the tip, the gasket can not be replaced separately.



P. Leaking occurs at the back of the valve.

S. Loosen the lock nut (1/4 turn) at the back of the gun – this will re-set the shutoff stem to the gasket in the tip.

If leak continues, the packing screw may have to be removed and the packing replaced.

